

ESPECIFICACIONES TÉCNICAS

Voltaje de entrada: 120 V
 Corriente de entrada: 0.85 A
 Dimensiones de la unidad: 15" w x 8" d x 20" h (38,1 cm de ancho x 20,32 cm de profundidad x 50,8 cm de alto)
 Peso de la unidad: 15 lbs (6, 81 kg)
 Longitud del cable eléctrico: 9 pies. (2,74 m)

PIEZAS DE REPUESTO

Paquete de repuesto del Filtro FLT6000
 Incluye: Filtros HEPA y de carbón activado

GARANTÍA LIMITADA

Guardian Technologies LLC garantiza al consumidor que este producto está libre de defectos en materiales y mano de obra a partir de la fecha de compra original. Consulte la duración de la garantía en la caja del producto y guarde el recibo de compra original para validar el inicio del período de garantía.

Si durante el período de garantía se encuentra que el producto tiene algún defecto, repararemos o reemplazaremos las piezas defectuosas sin ningún costo. El aparato completo debe enviarse con porte pagado por anticipado a cualquier centro de servicio de garantía autorizado por Guardian Technologies LLC. Incluya la información completa sobre el problema, fecha de compra, una copia del recibo de compra original y su nombre, dirección y número de teléfono. Si su domicilio no se encuentra cerca de una estación de garantía y requiere atención en los EE.UU. y Canadá, llame a la fábrica al 1-866-603-5900. Use sólo piezas de repuesto genuinas de Guardian Technologies.

La garantía no cubre los problemas ocasionados por desgaste inusual, daños que resulten por un accidente o el uso no razonable del producto. Esta garantía no cubre las reparaciones no autorizadas. Esta garantía le otorga derechos legales específicos y usted pudiera tener otros derechos adicionales (los cuales varían en cada estado en los EE.UU.).

Consideramos que el proceso de registro es importante para garantizar el servicio superior a nuestros clientes, sin embargo, el envío de esta tarjeta a Guardian Technologies LLC es opcional y no afecta sus derechos para utilizar la garantía de acuerdo a las condiciones estipuladas anteriormente. Si tiene preguntas o comentarios acerca de nuestro producto llame sin costo al 1-866-603-5900 o envíe sus comentarios a: Attn: Customer Service, Guardian Technologies LLC, 26201 Richmond Road, Unit A3, Bedford Heights, Ohio 44146.



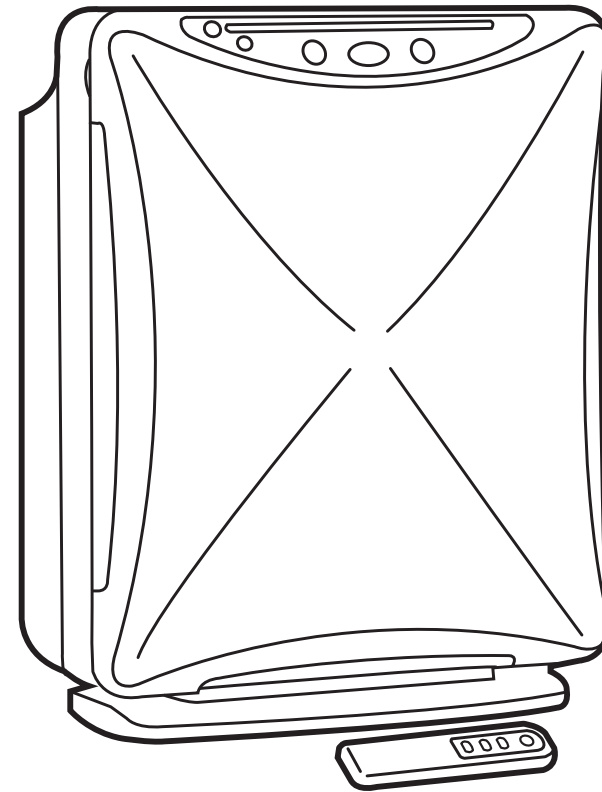
www.germguardian.com
 1-866-603-5900

Guardian Technologies LLC
 P.O. Box 21135 · Beachwood, OH 44122
 1-866-603-5900 · www.germguardian.com

Germ Guardian™ Complete Air Cleansing System



USE & CARE INSTRUCTIONS



English Manual.....	E-1
French Manual	F-1
Spanish Manual	S-1

MODEL NO. AC6000
 2 Year Limited Warranty
www.germguardian.com
 1-866-603-5900

Date Purchased
 month _____
 year _____

Complete Air Cleansing System

Model Number: AC6000

CONTENTS

Safety Precautions	3
Identification of Parts	4
Installation	7
Operation	9
Maintenance	12
Trouble Shooting	15
Technical Specifications	16
Replacement Parts	16
Limited Warranty	16

The Germ Guardian™ Complete Air Cleansing System™ offers six stages of air purification, to help create a healthier indoor breathing environment. It purifies the air in your home while destroying germs and odors.

SAFETY PRECAUTIONS

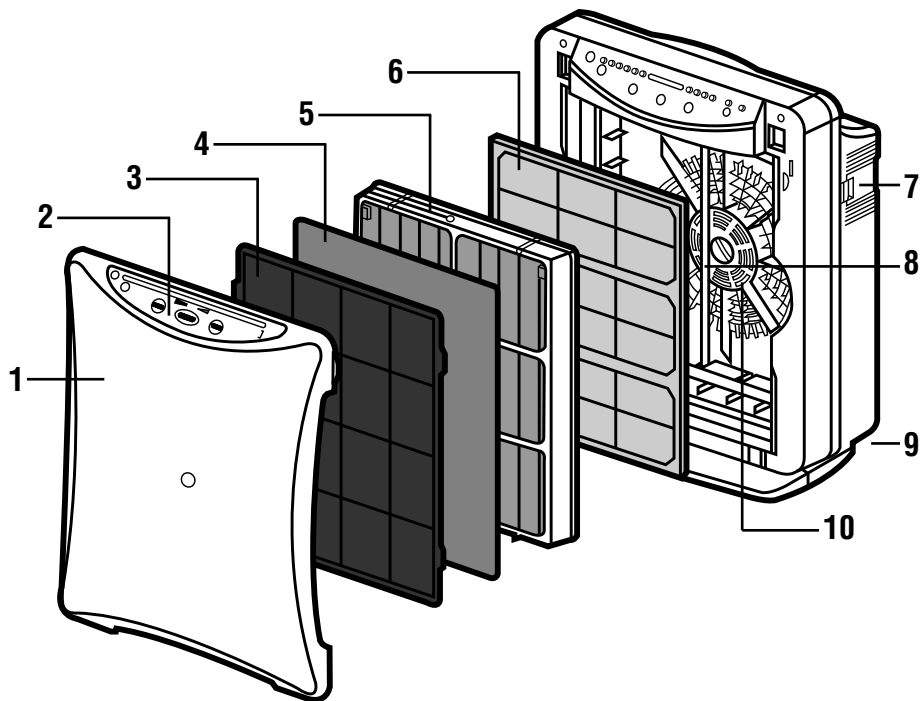
Please read the following precautions carefully before operating the Complete Air Cleansing System. Failure to do so could result in a fire hazard, electrical shock, bodily injury or damage to the unit.

- Do not damage, pull, twist, bend or place heavy objects on the electrical cord.
- Never handle the electrical cord with wet hands.
- To reduce the risk of electric shock, this equipment has a polarized plug (one blade is wider than the other). This plug will fit in a polarized outlet only one way. If the plug does not fit fully in the outlet, reverse the plug. If it still does not fit, contact qualified personnel to install the proper outlet. Do not alter the plug in any way.
- Never tug on the electrical cord to unplug the unit from the outlet.
- Unplug the unit before cleaning, installing or replacing filters.
- If the electrical cord becomes damaged, please contact a qualified technician for repair.
- Do not place fingers or foreign objects into the airflow openings of the unit.
- Operate the unit in a well-ventilated area.
- Do not operate the unit outdoors.
- Do not operate near flammable gases.
- Do not operate the unit in humid or wet places such as a bathroom.
- Do not use chemical sprays near the unit, they will accumulate on the filter and potentially cause harmful fumes.
- Do not operate the unit in an area with high oil content, such as mechanical oil or cooking oil, over time it will deteriorate the filter.
- Never look directly at the UV light bulb when lit.
- Make sure all filters are correctly installed before running the unit.

IDENTIFICATION OF PARTS

Main Unit

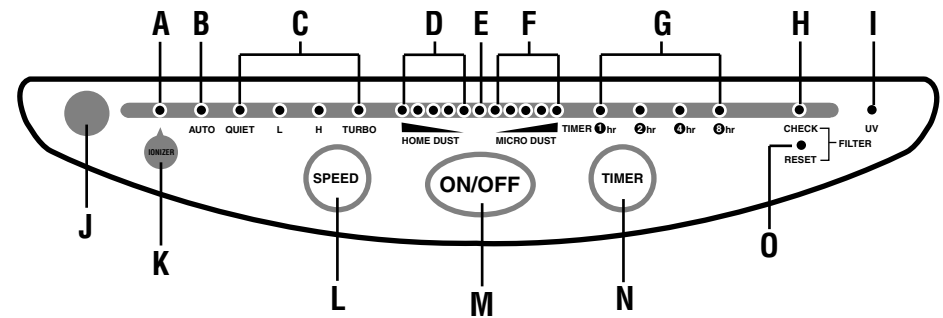
1. Front Cover
2. Control Panel
3. Pre-Filter
4. Charcoal Filter
5. HEPA Filter
6. PCO Filter
7. Dust Sensor Cover
8. UV Light Bulb
9. Electrical Cord
10. Ionizer



IDENTIFICATION OF PARTS (cont.)

Control Panel

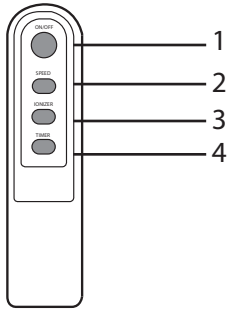
- A. Ionizer Indication Light
- B. Auto Mode Indication Light
- C. Fan Speed Indication Lights
- D. Home Dust Indication Lights
- E. Clean Air Indication Light
- F. Micro Dust Indication Lights
- G. Timer Setting Indication Lights
- H. Filter 'Check' Indication Light
- I. 'UV' Indication Light
- J. Remote Control Receiver Window
- K. 'Ionizer' On/Off Button
- L. Fan 'Speed' Button
- M. Power On/Off Button
- N. 'Timer' Setting Button
- O. Filter Check 'Reset' Recessed Indicator



IDENTIFICATION OF PARTS (cont.)

Remote Control

1. Power 'On/Off' Button
2. Fan 'Speed' Button
3. 'Ionizer' On/Off Button
4. 'Timer' Setting Button



Clean Air Delivery Rate Certified Rating

From air cleaner to air cleaner, compare the CADR numbers. First, look at suggested room size. Then refer to the tobacco smoke, dust and pollen Clean Air Delivery Rate (CADR) numbers. The higher the number, the faster the unit filters the air.

This air cleaner is suggested for use in a single
closed room up to 144 square feet.

Higher Clean Air Delivery Rates provide improved performance in all room sizes. Portable air cleaners will be much more effective in rooms when all the doors and windows are closed.

Tobacco Smoke: 95 Dust: 107 Pollen: 129

These values represent performance that can be expected within the first 72 hours of operation. Subsequent use may vary with use.

Tested per ANSI/AHAM AC-1 Nation Standard

What is CADR?

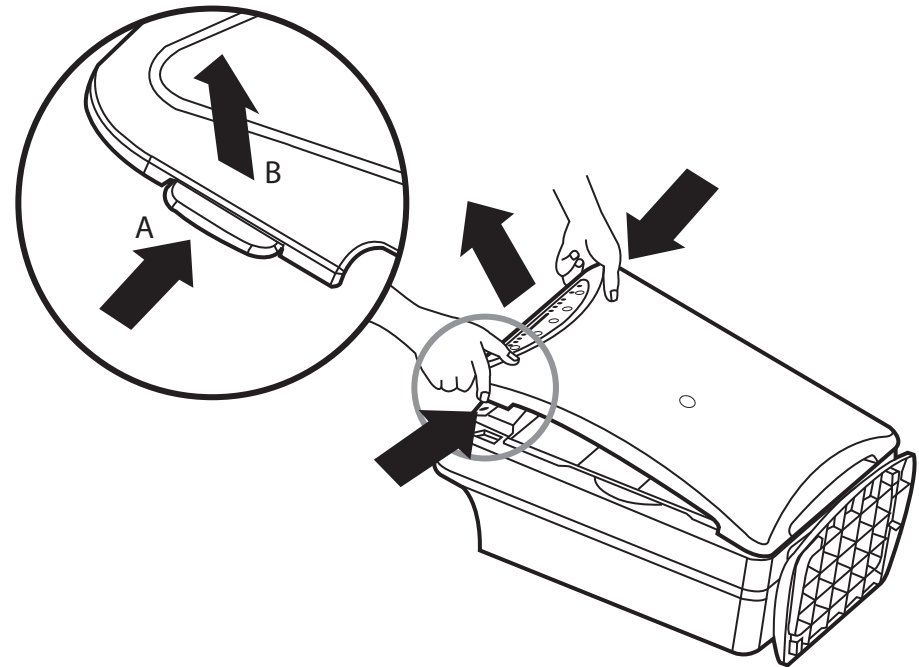
CADR stands for "Clean Air Delivery Rate" which indicates the volume of filtered air delivered by an air purifier. CADR ratings show the effectiveness of how efficient the air purifier is at capturing fine particles from things like tobacco smoke and plant pollens from the room.

INSTALLATION

The filters can be found packaged inside the air purifier.

Installing the Filters

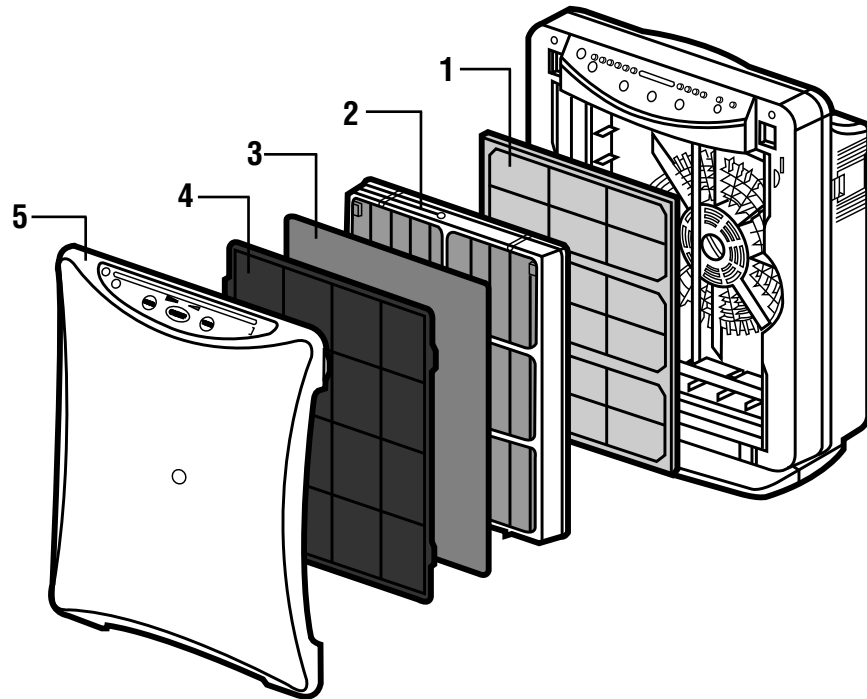
1. Unplug from the electrical outlet.
2. Place the unit flat, with the front cover pointing upwards.
3. Remove the front cover by carefully A) pushing the release buttons and then B) lifting up the cover.



INSTALLATION (cont.)

4. Remove the filters from the air purifier and discard the plastic bags.
5. Fill in the installation date on the "Filter Replacement Reminder" sticker located on the HEPA filter box.
6. Put the PCO filter into the compartment of the main body. (1)
7. Put the HEPA filter into the filter compartment. Follow the arrow direction on the side of the box for the correct direction. (2)
8. Put the Charcoal filter on top of the HEPA filter box. (3)
9. Put the pre-filter on top of the Charcoal filter. Slip the four tabs on the pre-filter into the corresponding location slots on the filter compartment. (4)
10. Insert the two bottom hinges of the front cover into the two grooves located at the bottom of the main body. Gently press the upper portion of the front cover towards the main body to close it. (5)

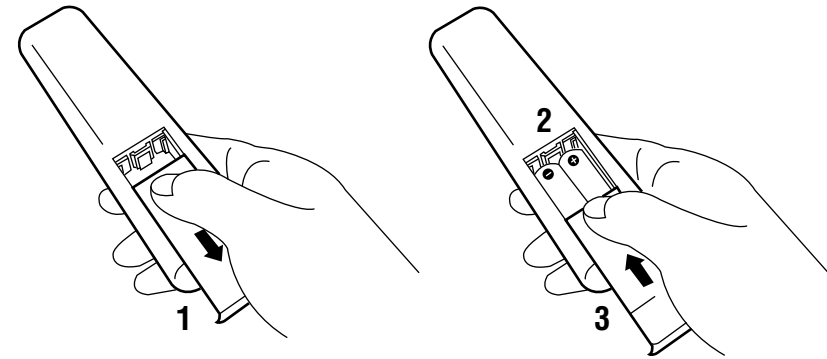
Note: The unit is equipped with a safety lock that allows it to operate only when the front cover is properly closed.



INSTALLATION (cont.)

Installing batteries into the remote control.

1. Press and slide out the back cover.
2. Insert two AAA batteries according to the instructions shown inside the battery compartment.
3. Close the back cover.



OPERATION

A. Power On/Off

1. Plug the electrical cord into an outlet.
2. Press the main 'On/Off' button to turn the unit on.
 - ❖ The power of the air purifier will be turned on.
 - ❖ The UV light bulb and the green 'UV' indication light will illuminate. They will remain lit up while the unit is on.

OPERATION (cont.)

- ❖ The unit is preset to automatic operation mode.
 - a. The green 'Clean Air' indication light in the center of the 'Home Dust/ Micro Dust' indication light region will be turned on.
 - b. The 'Auto' mode indication light in the fan speed selection region will be turned on.
 - c. The dust sensor device will determine the air quality and will indicate the dust level by illuminating the 'Home Dust'/'Micro Dust' lights.
 - d. The unit will adjust the fan speed automatically according to the air quality level if it is in 'Auto' mode. The unit will not adjust the fan speed if it is set to any other fan speed mode.
- ❖ Press the main 'On/Off' button again to turn the unit off.

B. Selection of Fan Speed

1. Press the fan 'Speed' button to select from one of the following:
 - Auto** – Automatically selects fan speed according to the air quality level
 - Quiet** – Use for quiet, nighttime operation
 - Low** – Use for constant low-speed filtration
 - High** – Provides a higher fan speed for quality filtration of dust, pollen, smoke, etc.
 - Turbo** – Provides superior filtration
2. Each time the fan 'Speed' button is depressed, it changes the speed according to the following sequence:
Auto - Quiet - Low - High - Turbo

C. Selection of Timer Setting

1. Press the 'Timer' button to set a desired run time.

OPERATION (cont.)

2. Each time the 'Timer' button is depressed, it switches the run time in the following sequence:
1-Hour - 2-Hours - 4-Hours - 8-Hours - Off (without indication light on).

The power off preset indication light will automatically switch to the next lowest setting to indicate the remaining run time.

Timer setting switches in the following order: 1-hour, 2-hour, 4-hour, 8-hour, OFF (without indication light on).

D. Selection of Ionizer

1. Press the 'Ionizer' On/Off button to turn on the ionizer device.
The green ionizer indication light will illuminate and the unit will release a small amount of negative ions along with out-flowing air to enhance the cleaning process.
2. Press the 'Ionizer' On/Off button again to turn the ionizer function off.

E. Resetting the Filter Check Indication Light

1. When the filter 'Check' light is illuminated, it is time to check the quality of the filters especially the HEPA and the charcoal filters.
2. Do the necessary cleaning and/or replacement of the filter.
3. Press the filter check 'Reset' button with a pin after installing the new filters into the unit.

The Micro-Dust indication light represents the total level of small dust particles, while the Home-Dust Indication light represents the level of large size particles that exist in the air. The less red lights that are illuminated, the better the air quality.

MAINTENANCE

A. Front Cover

- ❖ Wipe the front cover with a soft, damp cloth.
- ❖ Do not use detergents or chemicals of any kind.
- ❖ Do not submerge in water.

B. Pre-Filter

- ❖ Wash the pre-filter thoroughly with warm water.
- ❖ Make sure the pre-filter is completely dry before it is installed back in the unit.

The pre-filter captures large dust particles like pet hair and lint, it is recommended to clean the filter every 2-3 months.

C. Charcoal Filter

- ❖ Do not wash the charcoal filter in water.
- ❖ Replace with a new charcoal filter when the filter begins to turn grey in color.

The charcoal filter removes odors and cigarette smoke, it is recommended to change the filter every 6-12 months.

D. HEPA Filter

- ❖ Do not wash the HEPA filter in water.
- ❖ Do not use a vacuum cleaner to clean the filter's surface.
- ❖ Replace with a new HEPA filter when the current filter is in poor condition.

HEPA filters capture dust, mites, debris, mold, spores, pollen, pet dander, etc., it is recommended to change the HEPA filter every 6-12 months.

E. PCO Filter

- ❖ Wash the PCO filter thoroughly in slow running water.
- ❖ Do not scrub the filter as it may damage the surface.

MAINTENANCE (cont.)

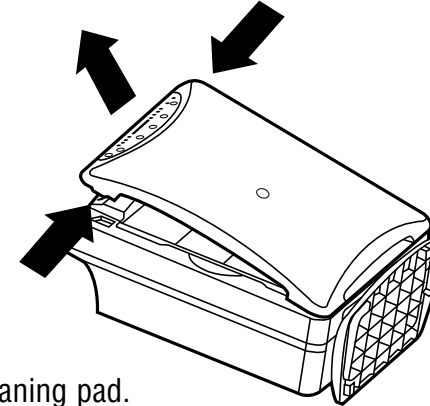
- ❖ Dry the PCO filter under sunlight.
- ❖ Do not put the PCO filter back into the unit until it is completely dry.

The PCO (photocatalyst oxidizer) filter captures and oxidizes airborne bacteria, molds and fungus, etc., it is recommended to clean the PCO filter at least once every 2-3 months.

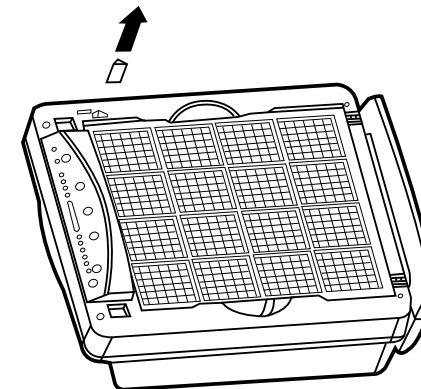
F. Dust Sensor

- ❖ Keep the area around the dust sensor in good, clean condition.
- ❖ Clean the dust sensor lens regularly to maintain the effectiveness of the device.
- ❖ Follow the instructions outlined below on how to clean the dust sensor.

1. Remove the front cover of the unit.

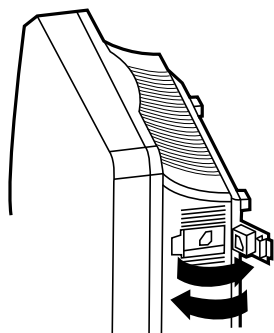


2. Take out the cleaning pad.

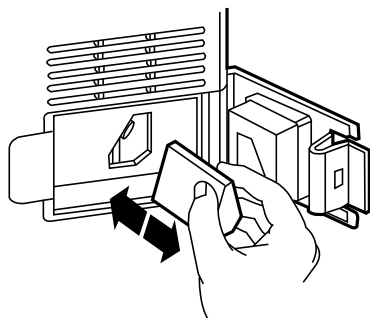


MAINTENANCE (cont.)

3. Open the sensor door.

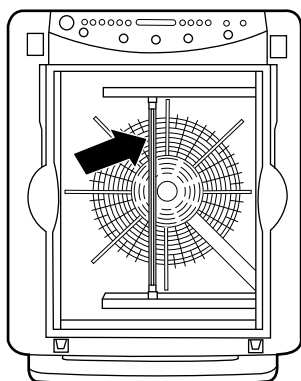


4. Insert the cleaning pad into the dust sensor slot and clean the dust sensor by moving the cleaning pad IN and OUT as illustrated.



G. UV Light Bulb

- ❖ Do not wash the UV light bulb with water.
- ❖ Do not use detergent or chemicals of any kind on the UV light bulb.
- ❖ The UV light bulb is extremely fragile, use caution when cleaning. A feather duster is recommended.
- ❖ The UV light bulb should only be replaced by a qualified technician when needed.



TROUBLESHOOTING GUIDE

PROBLEM	SOLUTION
Unit does not operate.	<u>Outlet:</u> Make sure the electrical cord is plugged firmly into the outlet. <u>Front Cover:</u> Install the front cover properly.
Odors and smoke are not easily being removed.	<u>Filters:</u> Follow the installation directions carefully for each filter. Clean or replace filters as needed. <u>Air Flow Openings:</u> Make sure to keep objects away from the air inlet and outlet openings.
The discharged air has an odor.	<u>Filters:</u> Check to see if the charcoal and HEPA filters need replacement.
Filter 'Check' remains on even after a new HEPA filter has been replaced.	<u>Filter Check 'Reset' Button:</u> After changing the HEPA filter make sure to trigger the Filter Check 'Reset' button with a pin.
Remote Control does not work.	<u>Batteries:</u> Replace the batteries with new ones. <u>Receiver:</u> Is there an object blocking the receiver on the main unit.

TECHNICAL SPECIFICATIONS

Input Voltage: 120 V
 Input Current: 0.85 A
 Unit Dimension: 15" w x 8" d x 20" h
 Unit Weight: 15 lbs.
 Power Cord Length: 9 feet

REPLACEMENT PARTS

FLT6000 Filter Replacement Pack
 Includes: Hepa and Charcoal Filters

LIMITED WARRANTY

To the consumer, Guardian Technologies LLC warrants this product to be free of defects in materials or workmanship commencing upon the date of the original purchase. Refer to your product carton for the length of warranty and save your original sales receipt to validate start of warranty period.

If this product should become defective within the warranty period, we will repair or replace any defective parts free of charge. The complete machine must be delivered pre-paid to any authorized Guardian Technologies LLC warranty service center. Please include complete information on the problem, day of purchase, copy of original sales receipt and your name, address and telephone number. If you are not near a warranty station, call the factory for assistance in the US and Canada at 1-866-603-5900. Use only genuine Guardian Technologies replacement parts.

The warranty does not include unusual wear, damage resulting from accident, or unreasonable use of the product. This warranty does not cover unauthorized repairs. This warranty gives you specific legal rights and you may also have other rights (other rights may vary from state to state in the U.S.A).

We consider the registration process important to ensuring superior service to our customers, however submitting this card to Guardian Technologies LLC is optional and does not affect your rights to utilize this warranty according to the conditions stated above. If you have any questions or comments about our product call toll free at 1-866-603-5900 or send comments to: Attn: Customer Service, Guardian Technologies LLC, 26201 Richmond Road, Unit A3, Bedford Heights, Ohio 44146.



www.germguardian.com
1-866-603-5900

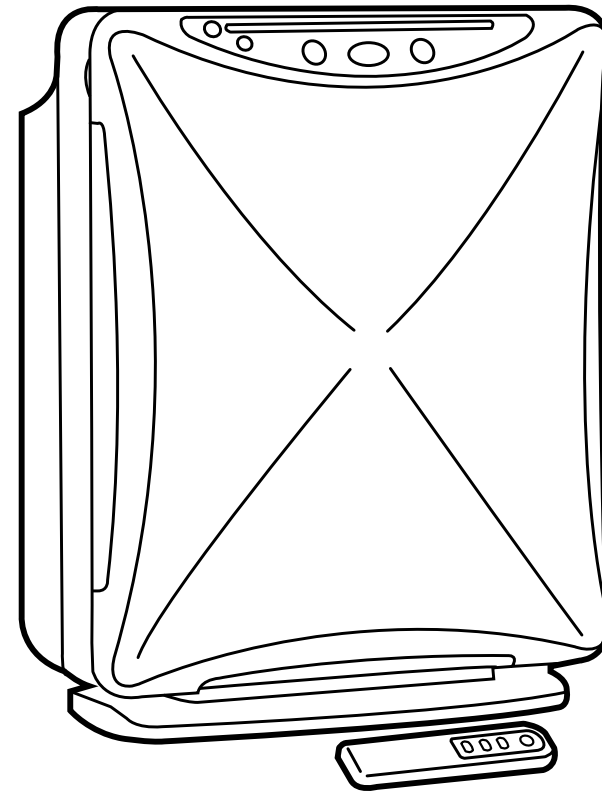
Guardian Technologies LLC
 P.O. Box 21135 · Beachwood, OH 44122
 1-866-603-5900 · www.germguardian.com

©2006 Guardian Technologies LLC

Germ Guardian™ Système complet d'assainissement de l'air



UTILISATION ET INSTRUCTIONS D'ENTRETIEN



Manuel anglais	E-1
Manuel français	F-1
Manuel espagnol	S-1

NO DE MODÈLE : AC6000
Garantie limitée de 2 ans
www.germguardian.com
1-866-603-5900

Date d'achat
 mois _____
 année _____

système complet d'assainissement de l'air

Numéro de modèle : AC6000

TABLE DES MATIÈRES

Mesures de sécurité	3
Identification des pièces	4
Installation	7
Fonctionnement	9
Entretien	12
Dépannage	15
Spécifications techniques	16
Pièces de rechange	16
Garantie limitée	16

Le Germ Guardian™ Complete Air Cleansing System™ est un système de filtration de l'air en six étapes qui permet de créer un environnement intérieur plus sain. Il purifie l'air de votre maison et élimine les germes et les odeurs.

MESURES DE SÉCURITÉ

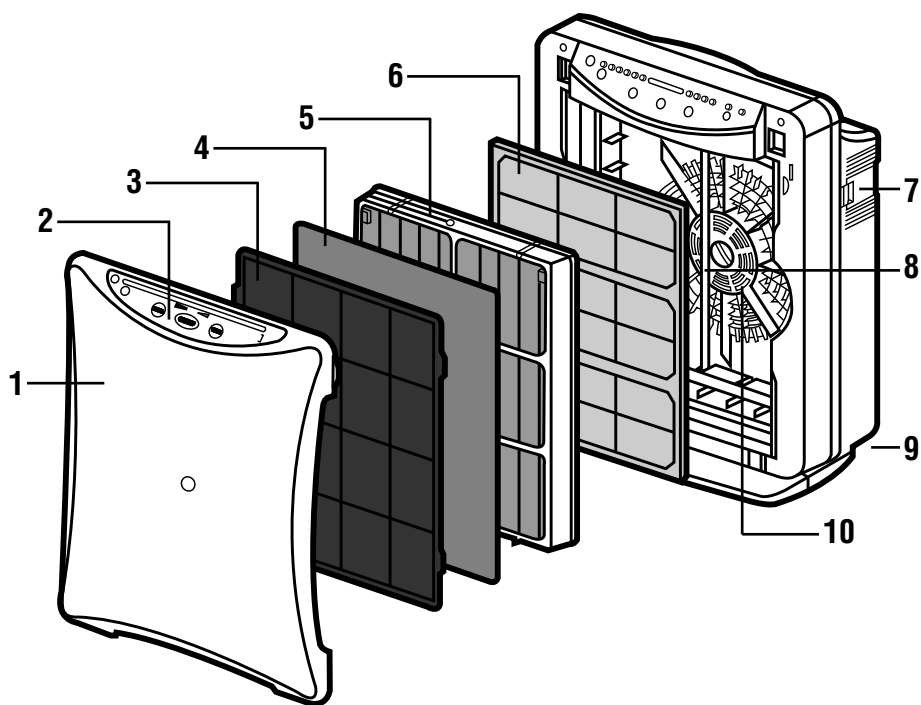
Veillez lire attentivement les mesures de sécurité avant de mettre en marche le système complet d'assainissement de l'air, à défaut de quoi vous vous exposez à un risque d'incendie, à une électrocution, à des blessures ou à un endommagement de l'appareil.

- N'endommagez pas, ni ne tordez, ni ne pliez le cordon électrique. Ne tirez pas dessus et ne posez pas d'objets lourds sur celui-ci.
- Ne manipulez jamais le cordon électrique avec les mains mouillées.
- Pour réduire le risque de choc électrique, l'appareil est équipé d'une fiche polarisée. (une tige de la fiche est plus large que l'autre). La fiche ne peut s'installer que d'une seule façon dans la prise de courant. Si la fiche n'entre pas dans la prise de courant, inversez le sens des tiges de la fiche et recommencez. Si la fiche n'entre toujours pas dans la prise, demandez à un professionnel qualifié d'installer une prise de courant adéquate. Ne modifiez pas la fiche de quelque façon que ce soit.
- Ne tirez jamais sur le cordon électrique pour débrancher l'appareil de la prise.
- Débranchez l'appareil avant de le nettoyer ou d'installer ou remplacer les filtres.
- Si le cordon électrique est endommagé, veuillez communiquer avec un technicien qualifié pour effectuer la réparation.
- N'insérez jamais vos doigts ou des objets étrangers dans les ouvertures de l'appareil servant à la circulation de l'air.
- Faites fonctionner l'appareil dans un espace bien aéré.
- Ne faites pas fonctionner l'appareil à l'extérieur.
- Ne faites pas fonctionner l'appareil à proximité de gaz inflammables.
- Ne faites pas fonctionner l'appareil dans les endroits humides tels que les salles de bain.
- Ne vaporisez pas de produits chimiques à proximité de l'appareil, car ils vont s'accumuler sur le filtre et pourraient produire des vapeurs nocives.
- Ne faites pas fonctionner l'appareil dans une aire présentant un contenu élevé d'huile dans l'air, comme de l'huile mécanique ou de l'huile à cuisson, car avec le temps l'huile détériore le filtre.
- Ne regardez jamais directement l'ampoule UV lorsqu'elle est allumée.
- Assurez-vous que tous les filtres sont bien en place avant de faire fonctionner l'appareil.

IDENTIFICATION DES PIÈCES

Unité principale

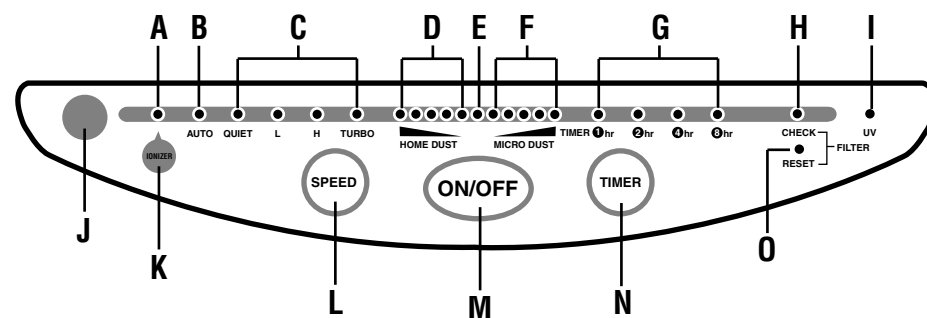
1. Couvercle avant
2. Panneau de commande
3. Préfiltre
4. Filtre au charbon
5. Filtre HEPA
6. Filtre PCO
7. Couvercle du capteur de poussières
8. Tube à rayons ultraviolets
9. Cordon électrique
10. Ionisateur



IDENTIFICATION DES PIÈCES (suite)

Panneau de commande

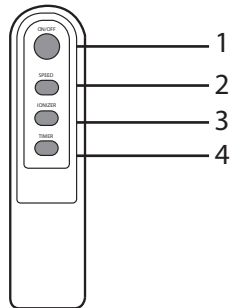
- A. Indicateur lumineux de l'ionisateur
- B. Indicateur lumineux du mode automatique
- C. Indicateurs lumineux de la vitesse du ventilateur
- D. Indicateurs lumineux de poussières de maison
- E. Indicateur lumineux d'air pur
- F. Indicateurs lumineux de micro-poussières
- G. Indicateurs lumineux de réglage de la minuterie
- H. Indicateur lumineux de vérification des filtres
- I. Indicateur lumineux de lumière UV
- J. Fenêtre du récepteur de télécommande
- K. Interrupteur de l'ionisateur
- L. Bouton de réglage de la vitesse du ventilateur
- M. Interrupteur de l'appareil
- N. Bouton de réglage de la minuterie
- O. Indicateur encastré de réinitialisation de la vérification des filtres



IDENTIFICATION DES PIÈCES (suite)

Télécommande

1. Interrupteur de l'appareil
2. Bouton de réglage de la vitesse du ventilateur
3. Interrupteur de l'ionisateur
4. Bouton de réglage de la minuterie



Nettoyer du Taux de Livraison d'Air

Du nettoyeur d'air pour aérer le nettoyeur, comparer les nombres de CADR. Premier, regarder la taille suggérée de pièce. Alors se référer à la fumée de tabac, la poussière et le pollen Nettoient du Taux de Livraison d'Air (CADR) les nombres. Le plus haut le nombre, le plus rapide l'unité filtre l'air.

Ce nettoyeur d'air est suggéré pour l'usage dans un seul pièce fermée augmente à 144 les pieds carrés.

Les plus hauts Taux de Livraison d'Air Propres fournissent l'exécution améliorée dans toutes tailles de pièce. Les nettoyeurs portatifs d'air seront beaucoup plus efficaces dans les pièces quand tous les portes et les fenêtres sont fermés.

La Fumée de Tobacco : 95 Poussière : 107 Pollen : 129

Ces valeurs représentent performance qui peut être prévu dans le premier 72 heures d'opération. L'usage subséquent peut changer selon l'usage.

Examiné per ANSI/AHAM AC-1 norme de nation

Quel est CADR?

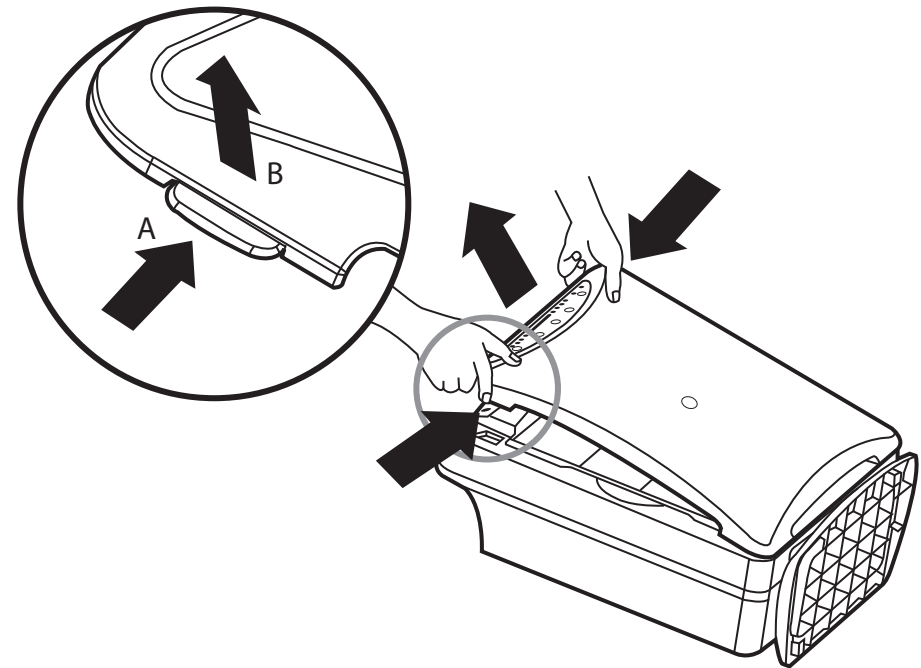
CADR représente « Nettoie du Taux de Livraison d'Air » qui indique le volume d'air filtré livré par un purificateur d'air. Les classements de CADR montrent l'efficacité de comment efficace le purificateur d'air est à capturer les belles particules des choses comme la fumée de tabac et les pollens de plante de la pièce.

INSTALLATION

Les filtres sont dans leur emballage, à l'intérieur du purificateur d'air.

Installation des filtres

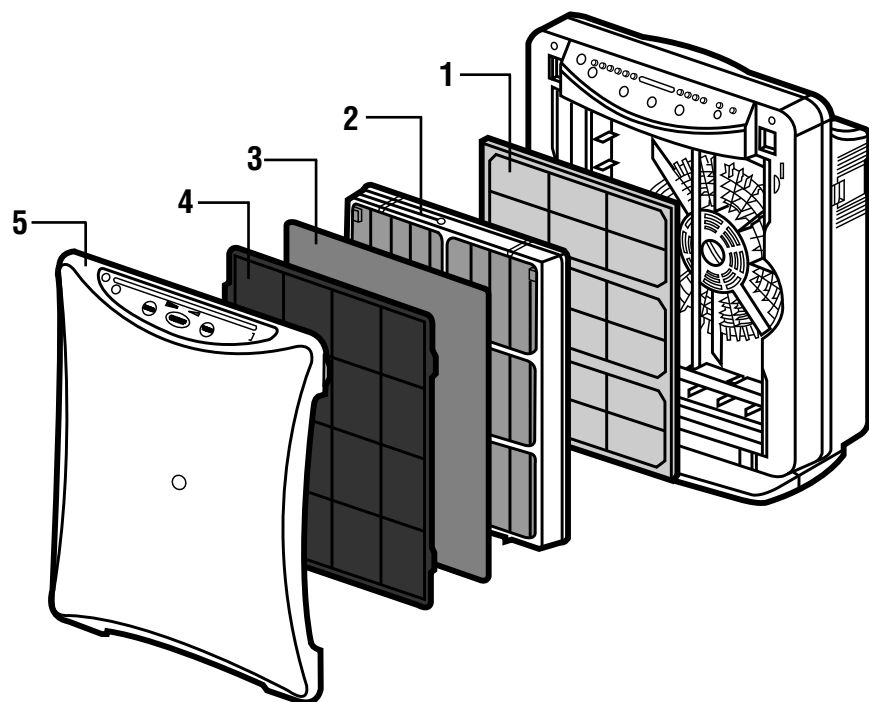
1. Débranchez l'appareil de la prise.
2. Placez l'appareil à plat, le couvercle avant pointant en l'air.
3. Retirez le couvercle avant avec précaution A) en poussant sur les boutons d'ouverture et B) en soulevant le couvercle.



INSTALLATION (suite)

4. Retirez les filtres du purificateur d'air et jetez les emballages de plastique.
5. Indiquez la date d'installation sur l'autocollant portant la mention « Filter Replacement Reminder » (rappel pour le remplacement du filtre) situé sur la boîte du filtre HEPA.
6. Placez le filtre PCO dans le compartiment de l'unité principale. (1)
7. Placez le filtre HEPA dans le compartiment du filtre. Insérez-le dans le sens de la flèche située sur le côté de la boîte. (2)
8. Placez le filtre au charbon au dessus de la boîte du filtre HEPA. (3)
9. Placez le préfiltre au dessus du filtre au charbon. Glissez les quatre pattes du préfiltre dans les fentes correspondantes situées dans le compartiment du filtre. (4)
10. Insérez les deux charnières situées au bas du couvercle avant dans les deux rainures situées au bas de l'unité principale. Appuyez doucement sur la partie supérieure du couvercle avant vers l'unité principale pour fermer le couvercle. (5)

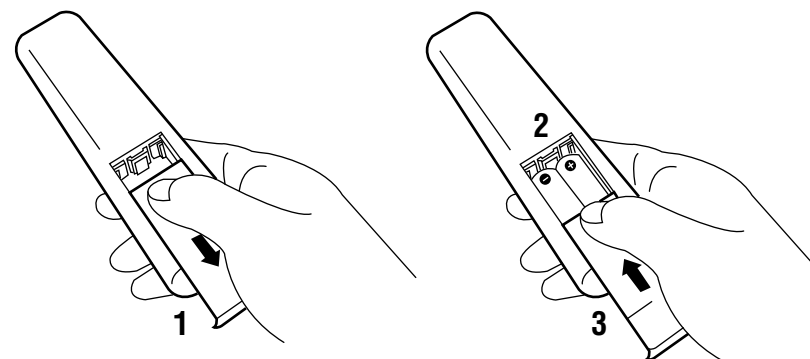
Remarque : Cet appareil est équipé d'un verrou de sécurité qui ne permet de le faire fonctionner que si le couvercle est correctement fermé.



INSTALLATION (suite)

Installation des piles dans la télécommande.

1. Appuyez dur le couvercle arrière et faites-le glisser.
2. Insérez deux piles AAA en suivant les instructions indiquées dans le compartiment des piles.
3. Refermez le couvercle arrière.



FONCTIONNEMENT

A. Mise en marche et arrêt de l'appareil

1. Branchez la fiche du cordon électrique dans une prise de courant.
2. Appuyez sur le bouton pour mettre en marche l'appareil.
 - ❖ Le purificateur d'air se met en marche.
 - ❖ La lampe à rayons UV et l'indicateur lumineux vert de la lampe UV s'allument. Ils restent allumés tant que l'appareil est en marche.

FUNCTIONNEMENT (suite)

- ❖ L'appareil est pré-réglé pour fonctionner en mode automatique.
 - a. L'indicateur lumineux vert « d'air pur » situé au centre des indicateurs lumineux « Home dust » (poussières de maison) et « Micro dust » (micro-poussières) s'allume.
 - b. L'indicateur lumineux du mode automatique, situé à côté des indicateurs de sélection de la vitesse du ventilateur, s'allume.
 - c. Le capteur de poussières détermine la qualité de l'air et indique le niveau de poussière en allumant les indicateurs lumineux de la section « Home Dust/Micro Dust ».
 - d. L'appareil règle la vitesse du ventilateur automatiquement en fonction du niveau de qualité de l'air, lorsqu'il est en mode automatique. Mais il ne règle pas automatiquement la vitesse du ventilateur si celle-ci est déjà réglée dans un mode autre que le mode automatique.
- ❖ Appuyez à nouveau sur le bouton pour arrêter l'appareil.

B. Sélection de la vitesse du ventilateur

1. Appuyez sur le bouton « Speed » pour sélectionner une vitesse pour le ventilateur parmi les suivantes :
 - Auto** – La vitesse est sélectionnée automatiquement en fonction du niveau de qualité de l'air
 - Quiet** – Fonctionnement silencieux, pour la nuit
 - Low** – Basse vitesse, pour une filtration continue
 - High** – Vitesse plus élevée, pour une filtration de qualité des poussières, du pollen, de la fumée, etc.
 - Turbo** – Fournit une filtration de qualité supérieure
2. Chaque fois que vous appuyez sur le bouton « Speed », la vitesse change en suivant la séquence suivante :
Auto - Quiet - Low - High - Turbo

C. Réglage de la minuterie

1. Appuyez sur le bouton « Timer » pour régler la durée de fonctionnement.

FUNCTIONNEMENT (suite)

2. Chaque fois que vous appuyez sur le bouton « Timer », la durée de fonctionnement change en suivant la séquence suivante :
1-Hour - 2-Hours - 4-Hours - 8-Hours - Off (soit 1 heure, 2 heures, 4 heures, 8 heures et Arrêt). Aucun indicateur lumineux allumé indique la position d'arrêt.

Les indicateurs lumineux de la minuterie s'allument et s'éteignent automatiquement pour indiquer la durée restante de fonctionnement.

Les indicateurs lumineux s'allument et s'éteignent en suivant la séquence suivante : 1-hour, 2-hour, 4-hour, 8-hour, OFF (soit 1 heure, 2 heures, 4 heures, 8 heures et Arrêt). Aucun indicateur lumineux allumé indique la position d'arrêt.

D. Mise en marche du ionisateur

1. Appuyez sur le bouton « On/Off » de l'ionisateur pour le mettre en marche.

L'indicateur vert de l'ionisateur s'allume et l'unité émet une petite quantité d'ions négatifs dans le flux d'air sortant pour améliorer le processus de nettoyage.

2. Appuyez à nouveau sur le bouton « On/Off » pour arrêter l'ionisateur.

E. Réinitialisation de l'indicateur lumineux de vérification des filtres

1. Lorsque l'indicateur lumineux « Check » de vérification des filtres s'allume, il est temps de vérifier la qualité des filtres, particulièrement celle des filtres HEPA et au charbon.
2. Procédez au nettoyage ou, au besoin, au remplacement de chacun des filtres.
3. À l'aide d'une épingle, appuyez sur le bouton « Reset » de réinitialisation de la fonction de vérification des filtres après l'installation des nouveaux filtres dans l'appareil.

L'indicateur lumineux « Micro-Dust » indique le niveau global de petites particules de poussières, alors que l'indicateur lumineux « Home-Dust » indique le niveau global de grosses particules présentes dans l'air. Moins il y a de voyants rouges allumés, meilleure est la qualité de l'air.

ENTRETIEN

A. Couvercle avant

- ❖ Essuyez le couvercle avant avec un chiffon doux et humide.
- ❖ N'utilisez aucun détergent, ni produit chimique.
- ❖ N'immergez pas le couvercle dans l'eau.

B. Préfiltre

- ❖ Nettoyez bien le préfiltre à l'eau chaude.
- ❖ Assurez-vous que le préfiltre est bien sec avant de le réinstaller dans l'appareil.

Le préfiltre retient les grosses particules de poussière, notamment les poils d'animaux et les peluches. Il est recommandé de nettoyer le filtre tous les 2 ou 3 mois.

C. Filtre au charbon

- ❖ Ne lavez pas le filtre au charbon dans l'eau.
- ❖ Remplacez-le par un nouveau filtre lorsqu'il prend une couleur grisâtre.

Le filtre au charbon élimine les odeurs et la fumée de cigarette. Il est recommandé de le changer après 6 à 12 mois d'utilisation.

D. Filtre HEPA

- ❖ Ne lavez pas le filtre HEPA dans l'eau.
- ❖ N'utilisez pas d'aspirateur pour nettoyer la surface du filtre.
- ❖ Remplacez-le par un nouveau filtre HEPA lorsqu'il est en mauvais état.

Le filtre HEPA retient la poussière, les acariens, les débris, les moisissures, les spores, le pollen, les squames animales, etc. Il est recommandé de le changer après 6 à 12 mois d'utilisation.

E. Filtre PCO

- ❖ Nettoyez bien le filtre PCO sous le robinet avec un faible débit d'eau.
- ❖ Ne frottez pas le filtre car cela pourrait endommager sa surface.

FONCTIONNEMENT (suite)

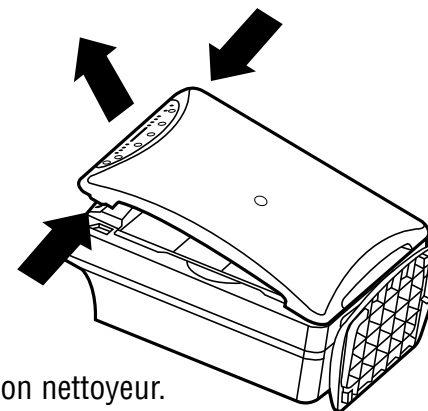
- ❖ Laissez sécher le filtre PCO au soleil.
- ❖ Attendez que le filtre PCO soit complètement sec avant de le remettre en place dans l'appareil.

Le filtre PCO (oxydation photocatalytique) retient et oxyde les bactéries, les moisissures et les champignons en suspension dans l'air, etc. Il est recommandé de nettoyer le filtre PCO au moins tous les 2 à 3 mois.

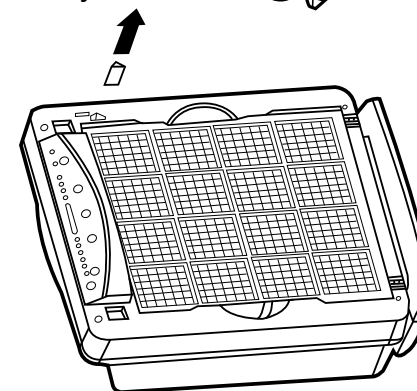
F. Capteur de poussières

- ❖ Gardez propre et en bonne condition la zone entourant le capteur de poussières.
- ❖ Nettoyez les lentilles du capteur à intervalles réguliers afin d'assurer son efficacité.
- ❖ Pour nettoyer le capteur de poussières, suivez les instructions indiquées ci-dessous.

1. Retirez le couvercle avant de l'appareil.

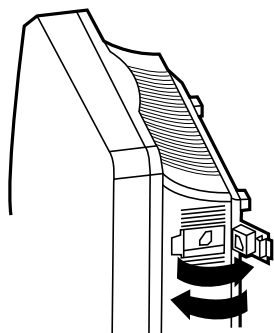


2. Retirez le tampon nettoyeur.

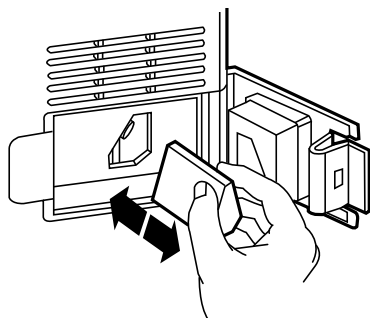


FONCTIONNEMENT (suite)

3. Ouvrez la porte du capteur.

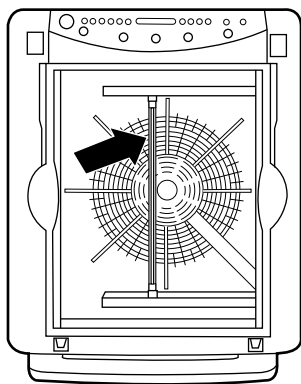


4. Insérez le tampon nettoyeur dans la fente du capteur et nettoyez le capteur en INSÉRANT et en RETIRANT le tampon nettoyeur, tel qu'illustré.



G. Ampoule à rayons ultraviolets

- ❖ Ne lavez pas l'ampoule à rayons ultraviolets à l'eau.
- ❖ N'utilisez aucun détergent ni produit chimique pour la nettoyer.
- ❖ L'ampoule à rayons ultraviolets est extrêmement fragile. Nettoyez-la avec précaution. L'utilisation d'un plumeau est recommandée.
- ❖ L'ampoule à rayons ultraviolets ne doit être remplacée que par un technicien qualifié, lorsque nécessaire.



GUIDE DE DÉPANNAGE

PROBLÈME	SOLUTION
L'appareil ne fonctionne pas.	<u>Prise de courant</u> : Assurez-vous que l'appareil est bien branché. <u>Couvercle avant</u> : Installez correctement le couvercle avant de l'appareil.
Les odeurs et la fumée ne sont pas éliminées adéquatement.	<u>Filtres</u> : Suivez attentivement les instructions d'installation s'appliquant à chacun des filtres. Nettoyez ou remplacez les filtres, au besoin. <u>Ouvertures de circulation de l'air</u> : Assurez-vous que les ouvertures d'entrée et de sortie d'air ne sont pas obstruées.
L'air sortant de l'appareil a une odeur.	<u>Filtres</u> : Vérifiez si les filtres au charbon et HEPA ont besoin d'être remplacés.
L'indicateur lumineux « Check » pour la vérification des filtres reste allumé même si le filtre HEPA a été remplacé.	<u>Bouton « Reset » de réinitialisation de la vérification des filtres</u> : Après avoir remplacé le filtre HEPA, assurez-vous de presser le bouton « Reset » de réinitialisation de la vérification des filtres à l'aide d'une épingle.
La télécommande ne fonctionne pas.	<u>Piles</u> : Remplacez les piles. <u>Récepteur de la télécommande</u> : Vérifiez si un objet interfère avec le récepteur de l'appareil.

SPÉCIFICATIONS TECHNIQUES

Tension d'entrée : 120 V
 Courant d'entrée : 0,85 A
 Dimensions de l'appareil : 15 po L x 8 po P x 20 po H
 Poids de l'appareil : 6,8 kg (15 lb)
 Longueur du cordon électrique : 2,75 m (9 pieds)

PIÈCES DE RECHANGE

Ensemble de filtres de rechange FLT6000
 Comprend : Filtres HEPA et au charbon

GARANTIE LIMITÉE

Guardian Technologies LLC garantit au consommateur que ce produit est exempt de défauts matériels ou de fabrication, à partir de la date d'achat d'origine. Référez-vous à l'emballage du produit pour obtenir la durée de la garantie et gardez votre reçu de vente original pour valider le début de la période de garantie.

Si le produit s'avère défectueux pendant la période de garantie, nous réparerons ou remplacerons toutes les pièces défectueuses gratuitement. La machine complète doit être livrée en port payé à n'importe quel centre de service de garantie Guardian Technologies LLC autorisé. Veuillez inclure les renseignements complets sur le problème, la date d'achat, une copie du reçu de vente original et votre nom, adresse et numéro de téléphone. Si vous êtes situé loin de tout centre de garantie, communiquez directement avec la manufacture, au 1-866-603-5900, pour obtenir de l'aide aux États-Unis ou au Canada. Utilisez seulement des pièces de remplacement Guardian Technologies authentiques.

La garantie ne couvre pas l'usure inhabituelle et les dommages causés par accident ou par une utilisation déraisonnable du produit. Cette garantie ne couvre pas les réparations non autorisées. Cette garantie vous donne certains droits juridiques et vous pouvez avoir aussi d'autres droits (les droits peuvent varier d'un état à l'autre aux États-Unis).

Nous considérons le processus d'enregistrement comme important afin d'assurer un service supérieur à notre clientèle. Cependant, l'envoi de cette carte à Guardian Technologies LLC est facultatif et si vous ne l'envoyez pas, cela n'affecte en rien vos droits d'utiliser cette garantie en accord avec les conditions mentionnées ci-dessus. Si vous avez des questions ou des commentaires au sujet du produit, communiquez avec nous sans frais au numéro 1-866-603-5900 ou envoyez vos commentaires à : Attention : Customer Service, Guardian Technologies LLC, 26201 Richmond Road Unit A3, Bedford Heights, Ohio 44146, ÉTATS-UNIS



www.germguardian.com
1-866-603-5900

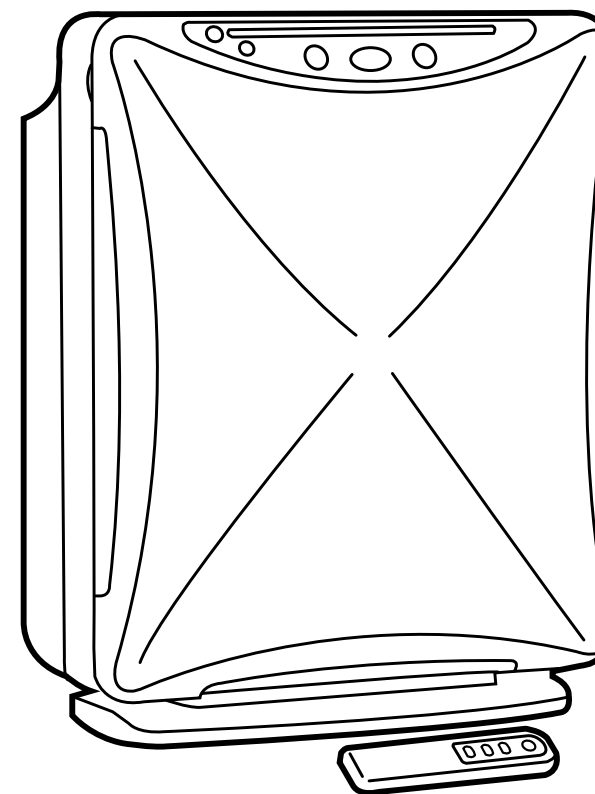
Guardian Technologies LLC
 P.O. Box 21135 · Beachwood, OH 44122, ÉTATS-UNIS
 1-866-603-5900 · www.germguardian.com

Germ Guardian™ Sistema Completo de Purificación de Aire



germguardian™

INSTRUCCIONES DE USO Y CUIDADO



Manual en InglésE-1
 Manual en FrancésF-1
 Manual en Español.....S-1

MODELO Nº AC6000
Garantía limitada por 2 años
www.germguardian.com
1-866-603-5900

Fecha de compra
 mes _____
 año _____

Sistema Completo de Purificación de Aire

Número de modelo: AC6000

CONTENIDO

Precauciones de seguridad	3
Identificación de partes	4
Instalación	7
Funcionamiento	9
Mantenimiento	12
Resolución de problemas	15
Especificaciones técnicas	16
Piezas de repuesto	16
Garantía limitada	16

El sistema para la limpieza del aire Complete Air Cleansing System™ Germ Guardian™ ofrece seis pasos para la purificación del aire, que ayudan a crear un ambiente más puro y saludable. Purifica el aire de su hogar y elimina los gérmenes y los olores.

PRECAUCIONES DE SEGURIDAD

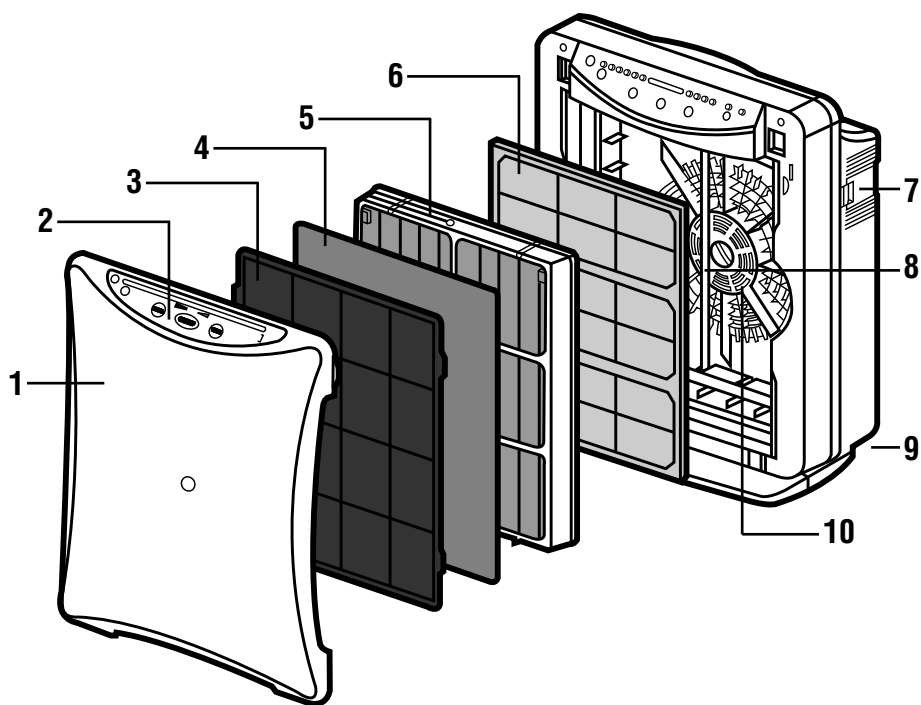
Lea detenidamente las siguientes advertencias de precaución antes de utilizar el Sistema Completo de Purificación de Aire. En caso contrario, se podrían producir incendios, choques eléctricos, lesiones corporales o daños a la unidad.

- No dañe, tire, enrosque, doble ni coloque objetos pesados sobre el cable eléctrico.
- Nunca toque el cable eléctrico con las manos húmedas.
- Para reducir el riesgo de choque eléctrico, este equipo tiene una clavija polarizada (una espiga plana es más ancha que la otra). Esta clavija se puede insertar en un tomacorriente polarizado de una sola manera. Si la clavija no entra completamente en el tomacorriente, inviértala. Si aún así no se puede insertar, comuníquese con un electricista calificado para que instale un tomacorriente adecuado. No modifique la clavija de ninguna manera.
- Nunca tire del cable eléctrico para desconectar la unidad del tomacorriente.
- Desconecte la unidad antes de limpiar, instalar o reemplazar los filtros.
- Si se producen daños en el cable eléctrico, comuníquese con un electricista calificado para que lo repare.
- No inserte los dedos u objetos extraños en las aberturas del flujo de aire de la unidad.
- Haga funcionar la unidad en un área bien ventilada.
- No haga funcionar la unidad al aire libre.
- No la haga funcionar cerca de gases inflamables.
- No haga funcionar la unidad en lugares húmedos o mojados como un baño.
- No utilice aerosoles químicos cerca de la unidad, se acumularán en el filtro y posiblemente causarán emanaciones nocivas.
- No haga funcionar la unidad en un área con alto contenido de aceite, como aceite para máquinas o de cocina, con el paso del tiempo esto deteriorará el filtro.
- Nunca mire directamente el foco de luz UV cuando está encendido.
- Asegúrese de que todos los filtros estén correctamente instalados antes de utilizar la unidad.

IDENTIFICACIÓN DE PARTES (Continuación)

Unidad principal

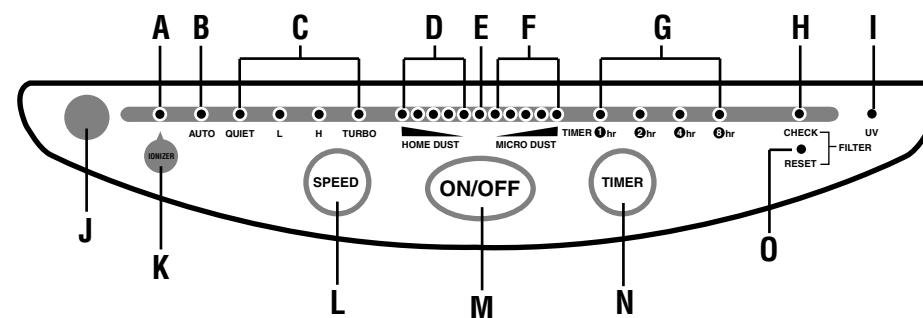
1. Cubierta frontal
2. Panel de Control
3. Prefiltro
4. Filtro de carbón activado
5. Filtro HEPA
6. Filtro PCO
7. Cubierta del sensor de polvo
8. Foco de luz UV
9. Cable eléctrico
10. Ionizador



IDENTIFICACIÓN DE PARTES (Continuación)

Panel de Control

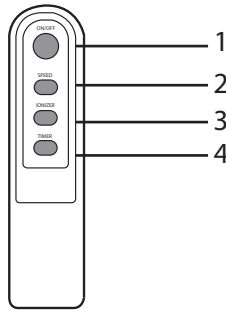
- A. Luz indicadora del ionizador
- B. Luz indicadora del modo automático
- C. Luces indicadoras de la velocidad del ventilador
- D. Luces indicadoras de polvo doméstico
- E. Luz indicadora de aire limpio
- F. Luces indicadoras de polvo microscópico
- G. Luces indicadoras del ajuste del temporizador
- H. Luz indicadora 'Check' (Inspección) del filtro
- I. Luz indicadora de "UV"
- J. Ventana del receptor del control remoto
- K. Botón de encendido / apagado del Ionizador
- L. Botón indicador "Speed" (Velocidad) del ventilador
- M. Botón de encendido / apagado
- N. Botón de ajuste 'Timer' (Temporizador)
- O. Indicador empotrado de 'reajuste' de verificación del filtro



IDENTIFICACIÓN DE PARTES (Continuación)

Control remoto

1. Botón de encendido / apagado eléctrico
2. Botón 'Speed' (Velocidad del ventilador)
3. Botón de encendido / apagado del Ionizador
4. Botón de ajuste 'Timer' (Temporizador)

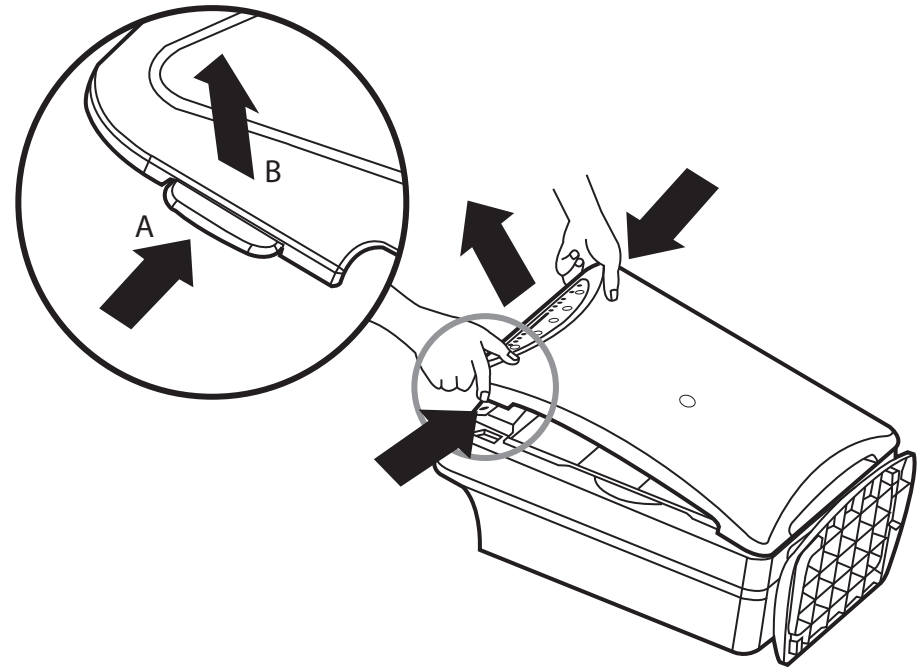


INSTALACIÓN

Es posible que los filtros estén embalados dentro del purificador de aire.

Cómo instalar los filtros

1. Desconecte el del tomacorriente.
2. Coloque la unidad en posición horizontal con la cubierta frontal hacia arriba.
3. Quite la cubierta frontal cuidadosamente A) presionando los botones de apertura y luego B) levantando la cubierta.



Limpie la Tasa Aérea de la Entrega

Del limpiador aéreo ventilar limpiador, compare los números de CADR. Primero, mira el tamaño sugerido del espacio. Entonces refiérase al humo del tabaco, el polvo y el polen. Limpian la Tasa Aérea de la Entrega (CADR) los números. El más alto el número, la más rápida la unidad filtra el aire.

Este limpiador aéreo se sugiere para el uso en un solo cerró el espacio hasta 144 pies cuadrados.

Limpie más alto las Tasas Aéreas de la Entrega proporcionan el desempeño mejorado en todos tamaño del espacio. La tintorería aérea portátil será mucho más efectiva en espacios cuando todas las puertas y las ventanas se cierran.

El Humo de Tabaco: 95 Polvo 107 : Polen 129

Estos valores representan performance que se puede esperar dentro de las primeras 72 horas de la operación. El uso subsiguiente puede variar con el uso.

Probado por ANSI/AHAM AC-1 estandar de la nacion.

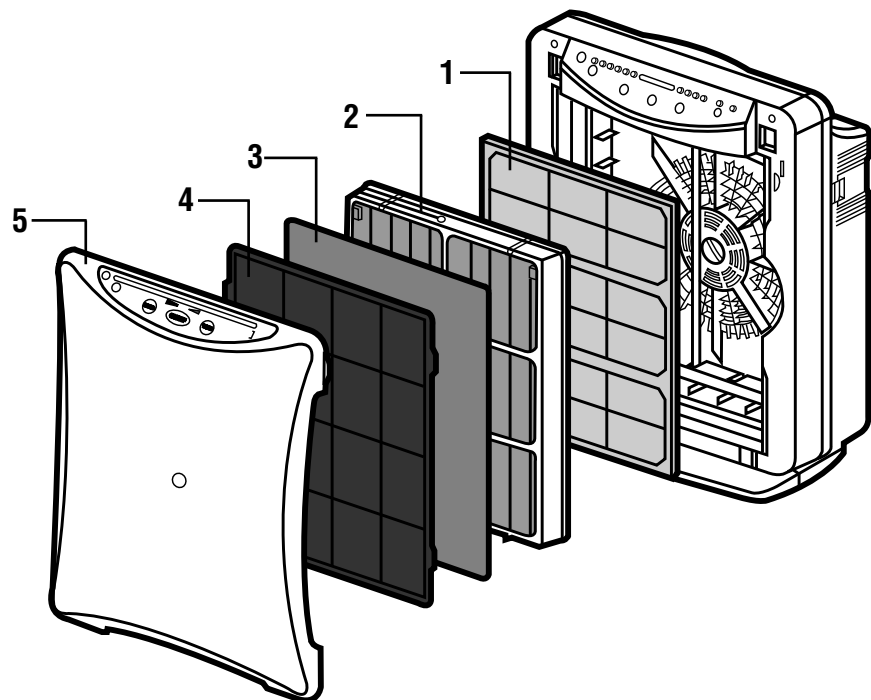
¿Qué es CADR?

CADR significa "Limpia la Tasa Aérea de la Entrega" que indica el volumen de aire filtrado entregado por un purificador de aire. Las calificaciones de CADR muestran la eficacia de cuán eficiente el purificador de aire está en capturar las partículas de multa de cosas como el humo de tabaco y pólenes de planta del cuarto.

INSTALACIÓN (continuación)

4. Quite los filtros del purificador de aire y deseche las bolsas plásticas.
5. Escriba la fecha de instalación en el autoadhesivo "Recordatorio de cambio de filtro" ubicado en la caja del filtro HEPA.
6. Coloque el filtro PCO en el compartimiento de la carcasa principal. (1)
7. Ponga el filtro HEPA en el compartimiento del filtro. Siga la dirección de la flecha al costado de la caja que indica la dirección correcta. (2)
8. Coloque el filtro de carbón activado en la parte superior de la caja del filtro HEPA. (3)
9. Coloque el prefiltro sobre el filtro de carbón activado. Deslice las cuatro pestañas del filtro previo en las ranuras correspondientes del compartimiento del filtro. (4)
10. Inserte las dos bisagras inferiores de la cubierta frontal en las dos guías ubicadas en la parte inferior de la carcasa principal. Presione con suavidad la parte superior de la cubierta frontal en dirección a la carcasa principal para cerrarla. (5)

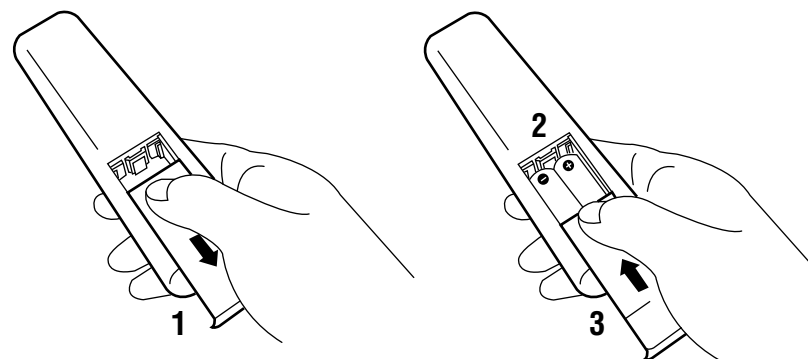
Nota: La unidad está equipada con un cierre de seguridad que sólo permite que ésta funcione cuando la cubierta frontal está correctamente cerrada.



INSTALACIÓN (continuación)

Cómo instalar las baterías en el control remoto.

1. Presione y deslice hacia afuera la cubierta trasera.
2. Coloque dos baterías tamaño AAA de acuerdo con las instrucciones que aparecen dentro del compartimiento de las baterías.
3. Cierre la cubierta trasera.



FUNCIONAMIENTO

A. Encendido/Apagado

1. Conecte el cable eléctrico en un tomacorriente.
2. Presione el botón principal "On/Off" (Encendido/Apagado) para encender la unidad.
 - ❖ Se conectará la electricidad del purificador de aire.
 - ❖ Se encenderán el foco de luz UV y la luz indicadora verde de 'UV'. Permanecerán prendidos mientras la unidad está encendida.

FUNCIONAMIENTO (continuación)

- ❖ La unidad está preajustada para comenzar a funcionar en modo de operación automático.
 - a. Se encenderá la luz indicadora verde de 'Aire limpio' en el centro del área de la luz indicadora de 'Polvo doméstico / micropolvo'.
 - b. Se encenderá la luz indicadora de modo 'Auto' (Automático) en la zona de selección de la velocidad del ventilador.
 - c. El dispositivo del sensor de polvo determinará la calidad del aire e indicará el nivel de polvo mediante las luces de 'Home Dust' / 'Micro Dust' (Polvo doméstico/Polvo microscópico).
 - d. La unidad ajustará la velocidad del ventilador automáticamente en el nivel de calidad del aire si está configurada en modo 'Auto' (Automático). La unidad no ajustará la velocidad del ventilador si se ha configurado en cualquier otro modo de velocidad del ventilador.
- ❖ Presione el botón principal 'On/Off' (Encendido/Apagado) para apagar la unidad.

B. Cómo seleccionar la velocidad del ventilador

1. Presione el botón 'Speed' (Velocidad) del ventilador para seleccionar uno de los siguientes:
 - Auto** – Selecciona automáticamente la velocidad del ventilador de acuerdo con el nivel de calidad del aire.
 - Silencioso** – Se usa para obtener un funcionamiento silencioso, durante la noche.
 - Bajo** – Se utiliza para una filtración continua a baja velocidad.
 - Alto** – Proporciona una velocidad de ventilador más alta para una filtración de calidad de polvo, polen, humo, etc.
 - Turbo** – Proporciona una filtración superior.
2. Cada vez que se presiona el botón 'Speed' (Velocidad) del ventilador, cambia la velocidad de acuerdo con la siguiente secuencia:
Auto - Silencioso - Bajo - Alto - Turbo

C. Cómo seleccionar el ajuste del temporizador

1. Presione el botón 'Timer' (Temporizador) para establecer el tiempo de funcionamiento deseado.

FUNCIONAMIENTO (continuación)

2. Cada vez que se presiona el botón 'Timer' (Temporizador), el tiempo de funcionamiento cambia según la siguiente secuencia:
1 hora - 2 horas - 4 horas - 8 horas - Apagado (con la luz indicadora apagada).
La luz indicadora predeterminada de apagado se cambiará automáticamente al ajuste más bajo siguiente a fin de indicar el tiempo de funcionamiento restante.
El ajuste del temporizador cambia en el siguiente orden: 1 hora, 2 horas, 4 horas, 8 horas, APAGADO (con la luz indicadora apagada).

D. Cómo seleccionar el ionizador

1. Presione el botón de Encendido/Apagado del Ionizador para encender este dispositivo.
La luz indicadora verde del ionizador se encenderá y la unidad liberará una cantidad pequeña de iones negativos junto con el aire que sale para mejorar el proceso de limpieza.
2. Presione el botón de Encendido/Apagado del Ionizador para apagar la función ionizador.

E. Cómo reactivar la luz indicadora de inspección del filtro

1. Cuando la luz 'Check' (Inspección) del filtro se ilumina, es tiempo de inspeccionar la calidad de los filtros, especialmente el filtro HEPA y los filtros de carbón activado.
2. Realice la limpieza y/o sustitución necesaria del filtro.
3. Presione el botón 'Reset' (Reactivar) de la inspección del filtro con un alfiler después de instalar los filtros nuevos en la unidad.

La luz indicadora de Polvo microscópico representa el nivel total de partículas pequeñas de polvo, mientras que la luz indicadora de Polvo doméstico representa el nivel de partículas grandes que existen en el aire. Cuanto menos se iluminan las luces rojas, mejor es la calidad del aire.

MANTENIMIENTO

A. Cubierta frontal

- ❖ Limpie la cubierta frontal con un trapo suave y húmedo.
- ❖ No use detergentes o productos químicos de ninguna clase.
- ❖ No la sumerja en el agua.

B. Prefiltro

- ❖ Lave el prefiltro completamente con agua tibia.
- ❖ Cerciórese de que esté completamente seco antes de instalarlo nuevamente en la unidad.

El filtro previo atrapa las partículas grandes de polvo, el pelo de las mascotas y la pelusa. Se recomienda limpiar el filtro cada 2 a 3 meses.

C. Filtro de carbón activado

- ❖ No lave con agua el filtro de carbón activado.
- ❖ Reemplácelo por un nuevo filtro de carbón activado cuando comience a ponerse de color gris.

El Filtro de carbón activado elimina olores y humo del cigarrillo, se recomienda cambiarlo cada 6-12 meses.

D. Filtro HEPA

- ❖ No lave el filtro HEPA con agua.
- ❖ No utilice una aspiradora para limpiar la superficie del filtro.
- ❖ Reemplácelo por un Filtro HEPA nuevo cuando el filtro actual esté en malas condiciones.

Los Filtros HEPA absorben polvo, ácaros, desechos, moho, esporas, polen, caspa de mascotas, etc., se recomienda cambiarlos cada 6-12 meses.

E. Filtro PCO

- ❖ Lave el Filtro PCO completamente en agua corriente lenta.
- ❖ No refriegue el filtro porque puede dañar la superficie.

MANTENIMIENTO (continuación)

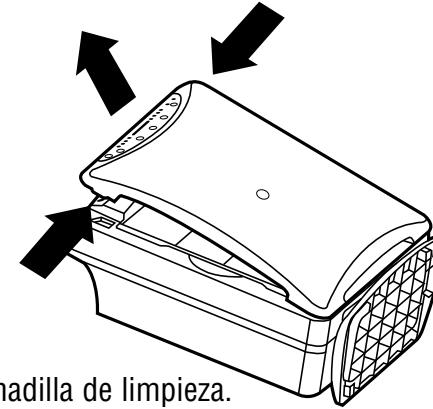
- ❖ Seque el Filtro PCO con luz del sol.
- ❖ No vuelva a colocar el Filtro PCO en la unidad hasta que esté completamente seco.

El filtro PCO (oxidante fotocatalítico) atrapa y oxida las bacterias, moho y hongos, etc. suspendidos en el aire. Se recomienda limpiar el filtro PCO al menos cada 2 a 3 meses.

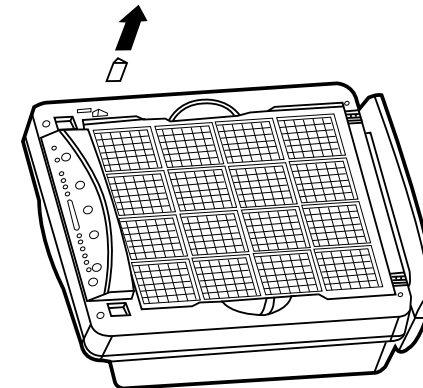
F. Sensor de polvo

- ❖ Mantenga el área que rodea al sensor de polvo limpia y en buenas condiciones.
- ❖ Limpie la lente del sensor de polvo regularmente para mantener la eficacia del dispositivo.
- ❖ Siga las instrucciones detalladas debajo acerca de cómo limpiar el sensor de polvo.

1. Quite la cubierta frontal de la unidad.

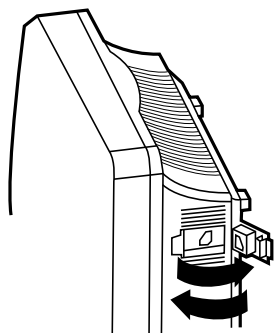


2. Saque la almohadilla de limpieza.

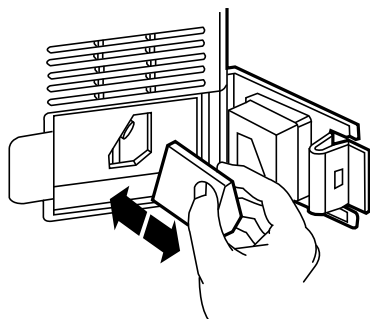


MANTENIMIENTO (continuación)

3. Abra la puerta del sensor.

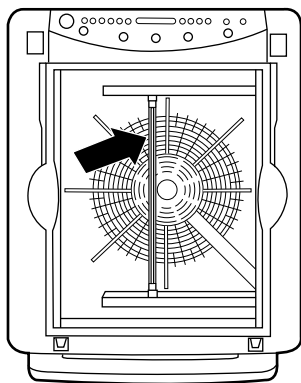


4. Coloque la almohadilla de limpieza dentro de la ranura del sensor de polvo y límpielo moviendo la almohadilla hacia ADENTRO y hacia AFUERA tal como se indica en la ilustración.



G. Foco de luz UV

- ❖ No lave el Foco de luz UV con agua.
- ❖ No use detergentes o productos químicos de ninguna clase sobre el Foco de luz UV.
- ❖ El Foco de Luz UV es extremadamente frágil, límpielo con precaución. Se recomienda utilizar un plumero.
- ❖ El foco de luz UV sólo debería ser reemplazado por un técnico calificado cuando sea necesario.



GUÍA DE SOLUCIÓN DE PROBLEMAS

PROBLEMA	SOLUCIÓN
La unidad no funciona.	Tomacorriente: Cerciérese de que el cable eléctrico esté conectado firmemente al tomacorriente. Cubierta frontal: Instale la cubierta frontal de manera correcta.
Los olores y el humo no se eliminan fácilmente.	Filtros: Siga las indicaciones de instalación para cada filtro detenidamente. Limpie y reemplace los filtros según se requiera. Aberturas de flujo de aire: Cerciérese de mantener los objetos alejados de las aberturas de entrada y salida de aire.
El aire de descarga tiene olor.	Filtros: Verifique si los Filtros de carbón activado y HEPA deben reemplazarse.
La luz indicadora 'Check' (Inspección) del filtro continúa encendida aún después de que se ha colocado un Filtro HEPA nuevo.	Botón Reset (Reactivación) de inspección del filtro: Después de cambiar el Filtro HEPA, asegúrese de disparar el botón 'Reset' (Reactivación) de inspección del Filtro con una clavija.
El Control remoto no funciona.	Baterías: Reemplace las baterías por unas nuevas. Receptor: ¿Hay un objeto que bloquea el receptor en la unidad principal?